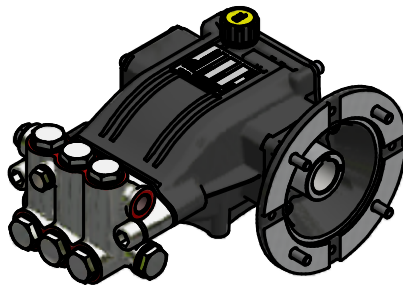
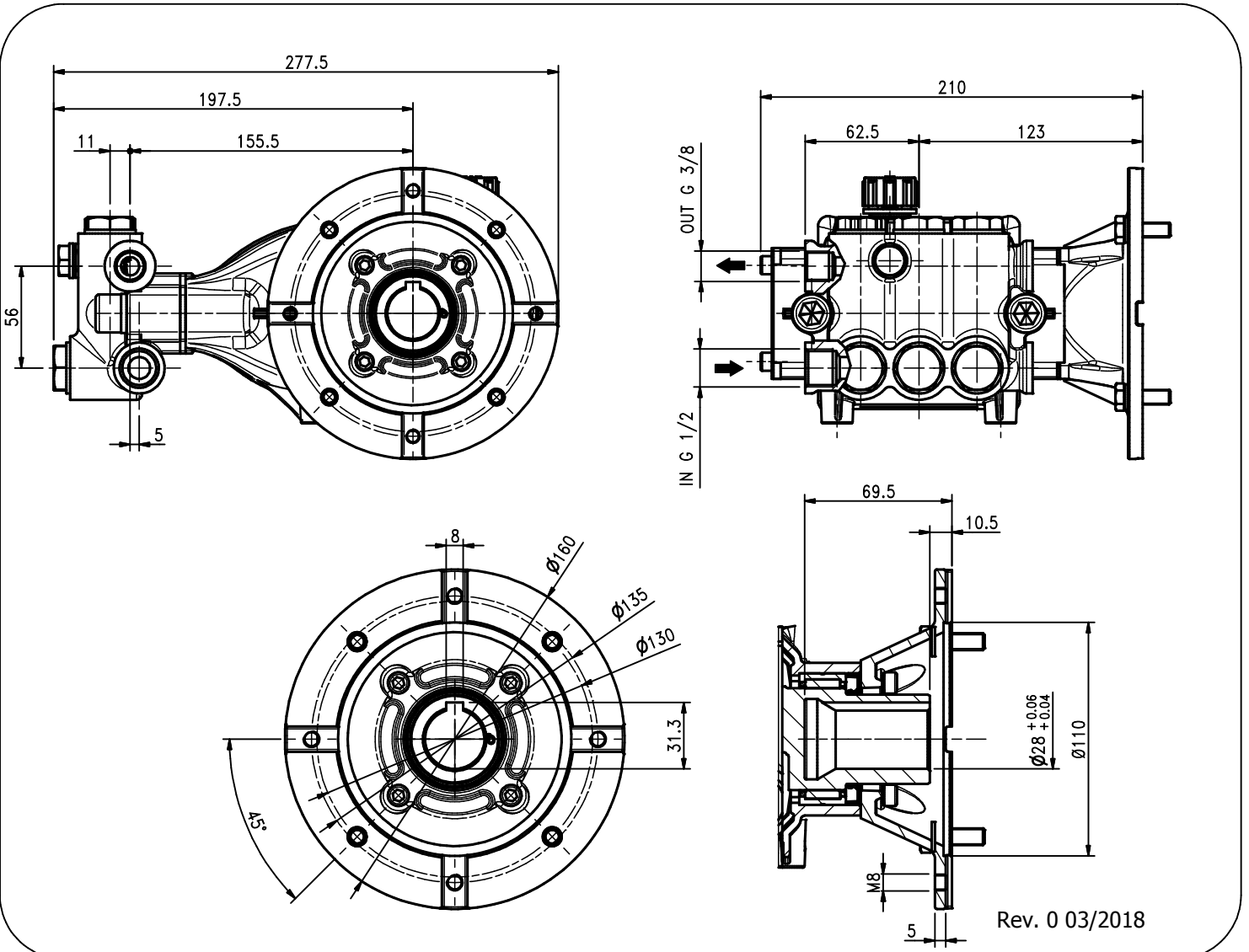


Pump Pompa	Pressure Pressione		Volume Portata				RPM giri/min		Power Potenza			
			l/min		GPM				HP		kW	
	bar	PSI	50 Hz	60 Hz	50 Hz	60 Hz	50 Hz	60 Hz	50 Hz	60 Hz	50 Hz	60 Hz
NHDP8520CWC	200	3000	8.5	10.1	2.2	2.7	1450	1740	4.3	5.1	3.2	3.9
NHDP1020CWC	200	3000	10	12.0	2.6	3.2	1450	1740	4.9	6.3	3.7	4.7
NHDP1120CWC	200	3000	11	13.2	2.9	3.5	1450	1740	5.7	6.8	4.3	5.1
NHDP1220CWC	200	3000	12	14.0	3.1	3.7	1450	1740	6.1	7.2	4.5	5.3
NHDP1320CWC	200	3000	13	15.5	3.4	4.0	1450	1740	6.7	7.7	4.9	5.7
NHDP1420CWC	200	3000	14	17.0	3.7	4.5	1450	1740	7.2	8.5	5.3	6.3
NHDP1520CWC	200	3000	15	18.0	4.0	4.7	1450	1740	7.7	9.2	5.7	6.8



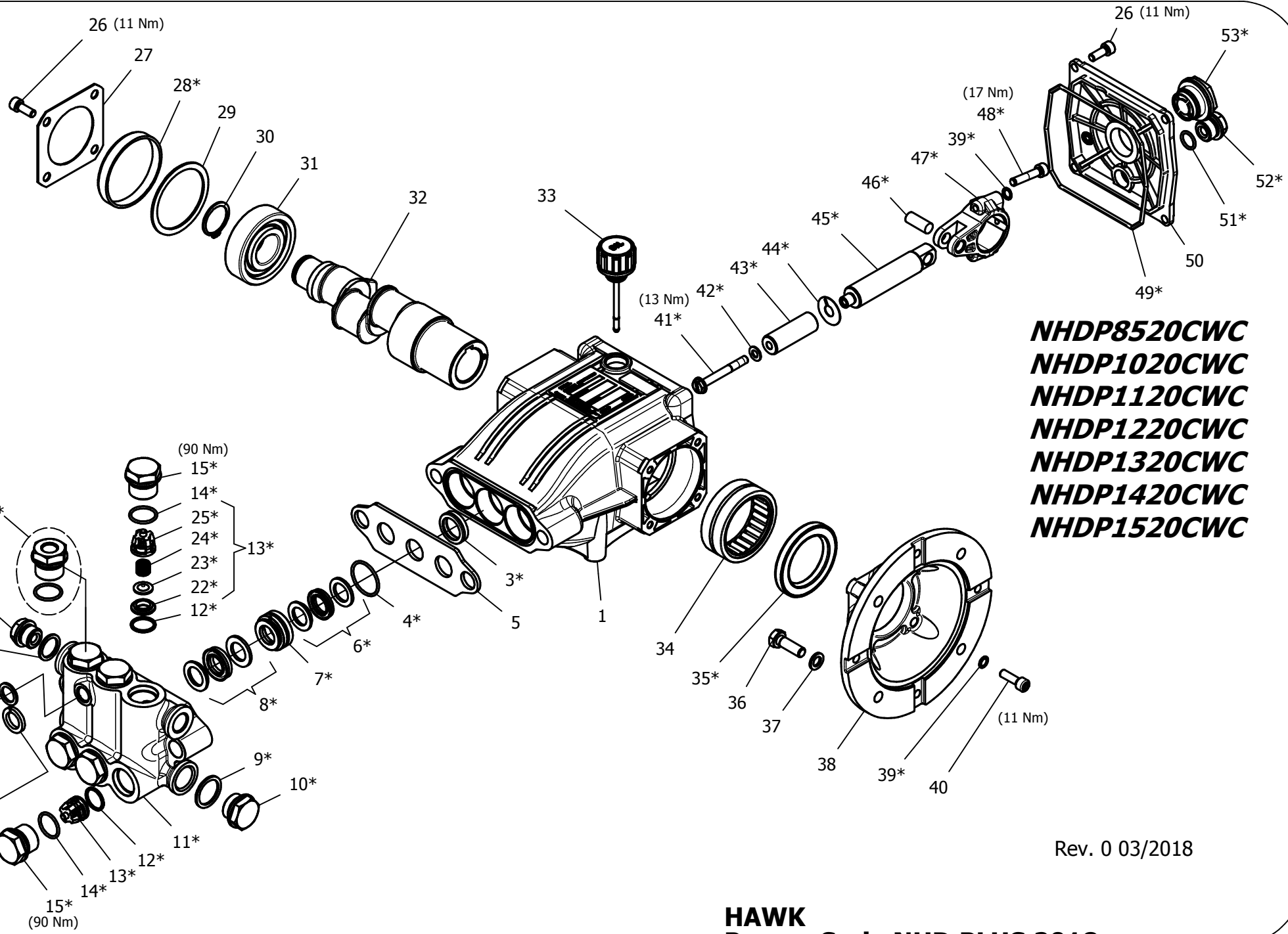
Dimensioni d'ingombro

Overall dimensions



Lubrificazione: Olio SAE 10W-40
Capacità: 0.4 Litri
Peso pompa: 7.7 Kg

Lubrication: SAE 10W-40 Oil
Capacity: 0.4 Litres
Weight: 7.7 Kg



NHDP8520CWC
NHDP1020CWC
NHDP1120CWC
NHDP1220CWC
NHDP1320CWC
NHDP1420CWC
NHDP1520CWC

Rev. 0 03/2018

HAWK
Pompe Serie NHD PLUS 2018
NHD PLUS Pumps 2018 Series

NHDP CW C 2018 SERIES

ORDINARY MAINTENANCE KIT / KIT MANUTENZIONE ORDINARIA

KIT	Item Pos.	Part Number Codice	Description	Descrizione	Q.TY by Pump Q.TA per Pompa	NHD8520C	NHD1020C	NHD1120C	NHD1220C	NHD1320C	NHD1420C	NHD1520C
						WCR/L	WCR/L	WCR/L	WCR/L	WCR/L	WCR/L	WCR/L
A	4- 6- 8- 18	1.905-736.0	PLUNGER SEALS DIA. 16 mm	GUARNIZIONI PISTONE Ø16	1							
B	12- 13 (22 23- 24- 25) 14	1.905-617.0	COMPLETE VALVE	VALVOLA COMPLETA	1	•	•	•	•	•	•	•

EXTRAORDINARY MAINTENANCE KIT / KIT MANUTENZIONE STRAORDINARIA

KIT	Item Pos.	Part Number Codice	Description	Descrizione	Q.TY by Pump Q.TA per Pompa	NHD8520C	NHD1020C	NHD1120C	NHD1220C	NHD1320C	NHD1420C	NHD1520C
						WCR/L	WCR/L	WCR/L	WCR/L	WCR/L	WCR/L	WCR/L
C	4- 6- 7- 8- 18	1.905-737.0	COMPLETE SEALS PACKING DIA. 16 mm	PACCO COMPLETO GUARNIZIONI PISTONE Ø16	1							
D	41- 42- 43 44	1.099-738.0	PLUNGER DIA. 16 mm	PISTONE Ø16	3							
E	3	1.099-740.0	PLUNGER OIL SEALS	ANELLI TENUTA OLIO ASTA	1							
F	28- 35 49- 51- 52- 53	1.905-622.0	KIT CRANKCASE SEALS	KIT TENUTE CARTER	1							
G	4- 6- 7- 8- 9- 10- 11- 12- 13 (22- 23- 24- 25) 14- 15- 16- 17- 18- 19- 20- 21	1.905-738.0	COMPLETE MANIFOLD	TESTATA COMPLETA	1	•	•	•	•	•	•	•
H	39- 45- 46 47- 48	1.905-742.0	CONNECTING ROD PLUNGER ROD ASSY	PREMONTATO ASTA-BIELLA PISTONE	3							
I	14- 15	1.904-212.0	VALVE PLUG ASSY	PREMONTATO TAPPO VAM	6							

“Q.TY by Pump” => Necessary quantity to repair one pump
 “Q.TA’ per Pompa” => Quantità necessaria per riparare una pompa

OPTIONAL

Item Pos.	Part Number Codice	Description	Descrizione	Q.TY by Pump Q.TA per Pompa	NHD8520CWC/R/L	NHD1020CWC/R/L	NHD1120CWC/R/L	NHD1220CWC/R/L	NHD1320CWC/R/L	NHD1420CWC/R/L	NHD1520CWC/R/L
54	9.853-425.0	THREADED BRASS PLUG G1/4	PREMONTATO TAPPO FORATO	1	•	•	•	•	•	•	•

TOOL KIT

Part Number Codice	Description	Descrizione	Q.TY by Pump Q.TA per Pompa	NHD8520CWC/R/L	NHD1020CWC/R/L	NHD1120CWC/R/L	NHD1220CWC/R/L	NHD1320CWC/R/L	NHD1420CWC/R/L	NHD1520CWC/R/L
1.099-668.0	TOOL-KIT	TOOL-KIT	1	•	•	•	•	•	•	•
1.904-416.0	TOOL KIT EXTRAORDINARY	TOOL-KIT STRAORDINARIO	1	•	•	•	•	•	•	•

IMPORTANT

IMPORTANTE

* Part available **ONLY** in kit
Disponibile **SOLO** in kit

(...) Parts pre-assembled
Parti pre-assemblate

PARTS LIST LISTA PARTI

Item Pos	Part Number Codice	Description	Descrizione	KIT	Q.TY Q.TA	NHD8520CWCR/L	NHD1020CWCR/L	NHD1120CWCR/L	NHD1220CWCR/L	NHD1320CWCR/L	NHD1420CWCR/L	NHD1520CWCR/L
1	9.850-369.0	CRANKCASE	CARTER		1							
3*		PLUNGER OIL SEAL	ANELLO RADIALE	E	3							
4*		"O" RING Ø1.78X26.7	"O" RING Ø1.78X26.7	A-C-G	3							
5		SPACER	DISTANZIATORE		1							
6*		"U" SEAL, DIA. 16 MM	ANELLO TENUTA "U" Ø16	A-C-G	3							
7*		PRESSURE RING DIA. 16 MM	PRESSORE "U" Ø16	C-G	3							
8*		"U" SEAL, DIA. 16 MM	ANELLO TENUTA "U" Ø16	A-C-G	3							
9*		COPPER WASHER G1/2	GUARNIZIONE RAME G1/2	G	1							
10*		BRASS PLUG G1/2	TAPPO OTTONE G1/2	G	1							
11*		MANIFOLD HOUSING	TESTATA	G	1							
12*		"O" RING Ø1.78X15.6	"O" RING Ø1.78X15.6	B-G	6							
13*		VALVE ASSEMBLY	VALVOLA PREMONTATA	B-G	6							
14*		"O" RING Ø1,78X18.77	"O" RING Ø1.78X18.77	B-G-I	6							
15*		VALVE PLUG	TAPPO VALVOLA	G-I	6							
16*		BRASS PLUG G1/4	TAPPO OTTONE G1/4	G	1							
17*		COPPER WASHER G1/4	GUARNIZIONE RAME G1/4	G	1	•	•	•	•	•	•	•
18*		MANIFOLD STUD BOLT M14X60	VITE TCEI M14X60	A-C-G	2							
19*		LOCK-WASHER	ROSETTA ELASTICA Ø14	G	2							
20*		COPPER WASHER G3/8	GUARNIZIONE RAME G 3/8	G	1							
21*		BRASS PLUG G 3/8	TAPPO OTTONE G 3/8	F-G	2							
22*		VALVE SEAT	SEDE VALVOLA	B-G	6							
23*		VALVE PLATE	PIATTELLO VALVOLA	B-G	6							
24*		VALVE SPRING	MOLLA VALVOLA	B-G	6							
25*		VALVE CAGE	GABBIA VALVOLA	B-G	6							
26	9.851-474.0	SCREW M6X16	VITE TCEI M6X16		12							
27	9.850-379.0	BEARING COVER	COPERCHIO CUSCINETTO		2							
28*		BEARING SEAL	CAPPELLOTTO CUSCINETTO	F	1							
29	9.850-554.0	CRANKSHAFT SEAL SPACER	DISTANZIALE PARAOLIO ALBERO		2							
30	9.851-198.0	SNAP RING DIA. 25 MM	ANELLO Ø25		1							
31	9.850-460.0	BALL BEARING	CUSCINETTO A SFERE		2							
32	9.850-223.0	HOLLOW SHAFT	ALBERO CAVO Ø28		1							•
	9.850-233.0	" "	" " "		1	•						
	9.850-234.0	" "	" " "		1		•					
	9.850-235.0	" "	" " "		1			•				
	9.850-236.0	" "	" " "		1				•			
	9.850-237.0	" "	" " "		1					•		
	9.850-238.0	" "	" " "		1						•	

Item Pos	Part Number Codice	Description	Descrizione	KIT	Q.TY Q.TÀ	NHD8520CWCRL	NHD1020CWCRL	NHD1120CWCRL	NHD1220CWCRL	NHD1320CWCRL	NHD1420CWCRL	NHD1520CWCRL
33	9.851-286.0	OIL DIP STICK	TAPPO LIVELLO OLIO		1							
34	9.850-354.0	NEEDLE ROLLER BEARING	CUSCINETTO A RULLINI		1							
35*		CRANKSHAFT SEAL	ANELLO RADIALE	F	1							
36	9.851-504.0	HEXAGONAL SCREW M8X25	VITE TE M8X25		4							
37	9.851-114.0	WASHER DIA. 8,5 MM	ROSETTA Ø8,5		4							
38	9.850-632.0	MOTOR FLANGE	FLANGIA MOTORE		1							
39*		SPRING WASHER DIA. 6 MM	ROSETTA SCHNORR Ø6	H	10							
40	9.851-491.0	SCREW M6X20	VITE TCEI M6X20		4							
41*		PLUNGER BOLT	VITE PISTONE	D	3							
42*		COPPER SPACER	ROSETTA RAME	D	3							
43*		PLUNGER DIA. 16 MM	PISTONE Ø16	D	3	•	•	•	•	•	•	•
44*		COPPER SPACER	ROSETTA RAME	D	3							
45*		PLUNGER ROD	ASTA PISTONE	H	3							
46*		CONNECTING ROD PIN	SPINOTTO	H	3							
47*		CONNECTING ROD	BIELLA	H	3							
48*		CONNECTING ROD SCREW	VITE M6X30	H	6							
49*		"O" RING Ø2.62X111.62	"O" RING Ø2.62X111.62	F	1							
50	9.850-392.0	CRANKCASE COVER	COPERCHIO POSTERIORE		1							
51*		"O" RING Ø1.78X14	"O" RING Ø1.78X14	F	1							
52*		BRASS PLUG G 3/8	TAPPO OTTONE G 3/8	F	1							
53*		SIGHT GLASS G3/4	SPIA LIVELLI OLIO G3/4	F	1							